

A C D

Submersible Pumps



Models

JT4F60-E13

JT4K60-E18

VARIOUS PATENTS APPLY

Size 4"

PUMP SPECIFICATIONS

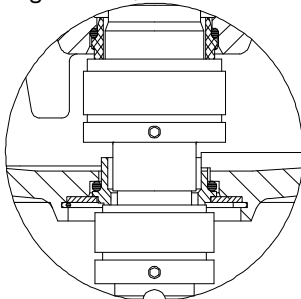
Note: Consult Factory for FM Approved Model.

- Casing:** Gray Iron 30.
- Impeller:** Single Vane, Gray Iron 30.
Handles 3.15" (80 mm) Diameter Spherical Solids.
- Seal Housing:** Gray Iron 30.
- Lower Bearing Bracket:** Gray Iron 30.
- Motor Housing:** Gray Iron 30.
- Motor Shaft:** Stainless Steel 329.
- Upper Bearing:** Single Ball Type, Grease Lubricated.
- Lower Bearing:** Double Ball Type, Grease Lubricated.
- O-Rings:** Nitrile Rubber.
- Hardware-External Wetted:** Stainless Steel 316.
- External Surface Protection:** Epoxy Paint.
- Standard Equipment:** Hoisting Bail. Stand.
4" (101 mm) Barbed Hose Connector.
- Optional Equipment:** Pump Control Panel.



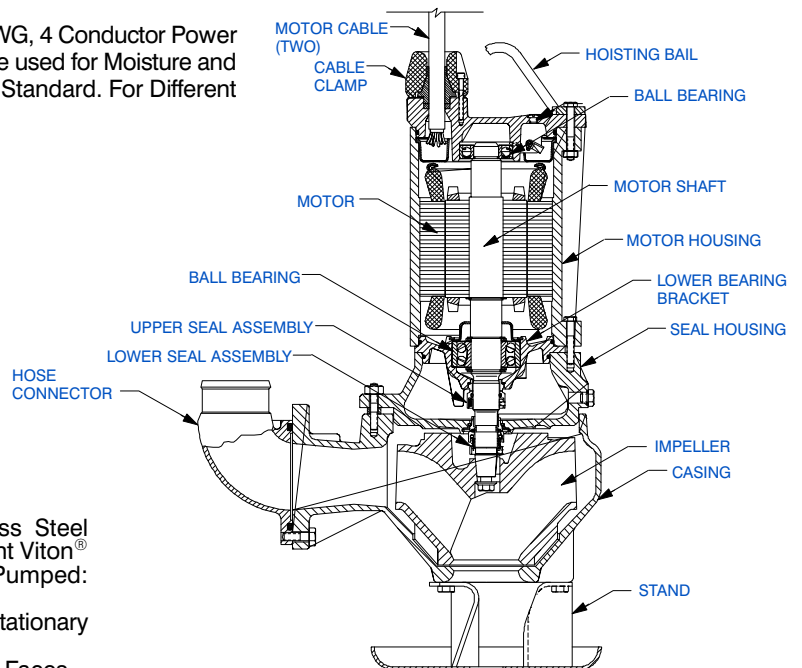
MOTOR/CABLE SPECIFICATIONS

- Motor:** 60 Hertz, 1750 R.P.M., Inverter Duty Rated (VFD-Capable), Air Filled Enclosure, Squirrel Cage, Induction Start, G-R Frame 4, Class F Insulation Rated 311°F (155°C), 104°F (40°C) Ambient Plus 207°F (115°C) Temperature Rise. Max. Submergence Depth 65 Feet (20 Meters).
- 13 H.P., 200, 230, 460 or 575 Volts, Three Phase,** 41.4/36.0/18.0/14.4 Full Load Amps, NEMA Code H, 1.15 Service Factor.*
- 18 H.P., 200, 230, 460 or 575 Volts, Three Phase,** 52.9/46.0/23.0/18.4 Full Load Amps, NEMA Code F, 1.15 Service Factor.*
- Standard Features:** Moisture Sensor Switch, Thermal Protection Switches, Across-the-Line Motor Wiring Connection.
- Power/Control Cable:** Neoprene Jacketed, One 8 AWG, 4 Conductor Power Cable, Plus One 14 AWG, 7 Conductor Control Cable used for Moisture and Thermal Protection. 32 Feet (10 Meters) Provided Standard. For Different Lengths, Specify at Time of Order.
- * Specify Voltage Required at the time of Order (Dual Voltage for 230/460 Motors Standard).



SEAL SPECIFICATIONS

- Tandem Mechanical Seals. Oil-Lubricated. Stainless Steel Cage and Springs. Fluorocarbon Elastomers (DuPont Viton® or Equivalent). Maximum Temperature of Liquid Pumped: 104°F (40°C).
- Upper Seal:** Silicon Carbide Rotating Face, Carbon Stationary Face.
- Lower Seal:** Silicon Carbide Rotating and Stationary Faces.



THE GORMAN-RUPP COMPANY • MANSFIELD, OHIO

GORMAN-RUPP OF CANADA LIMITED • ST. THOMAS, ONTARIO, CANADA

www.grpumps.com

Specifications Subject to Change Without Notice

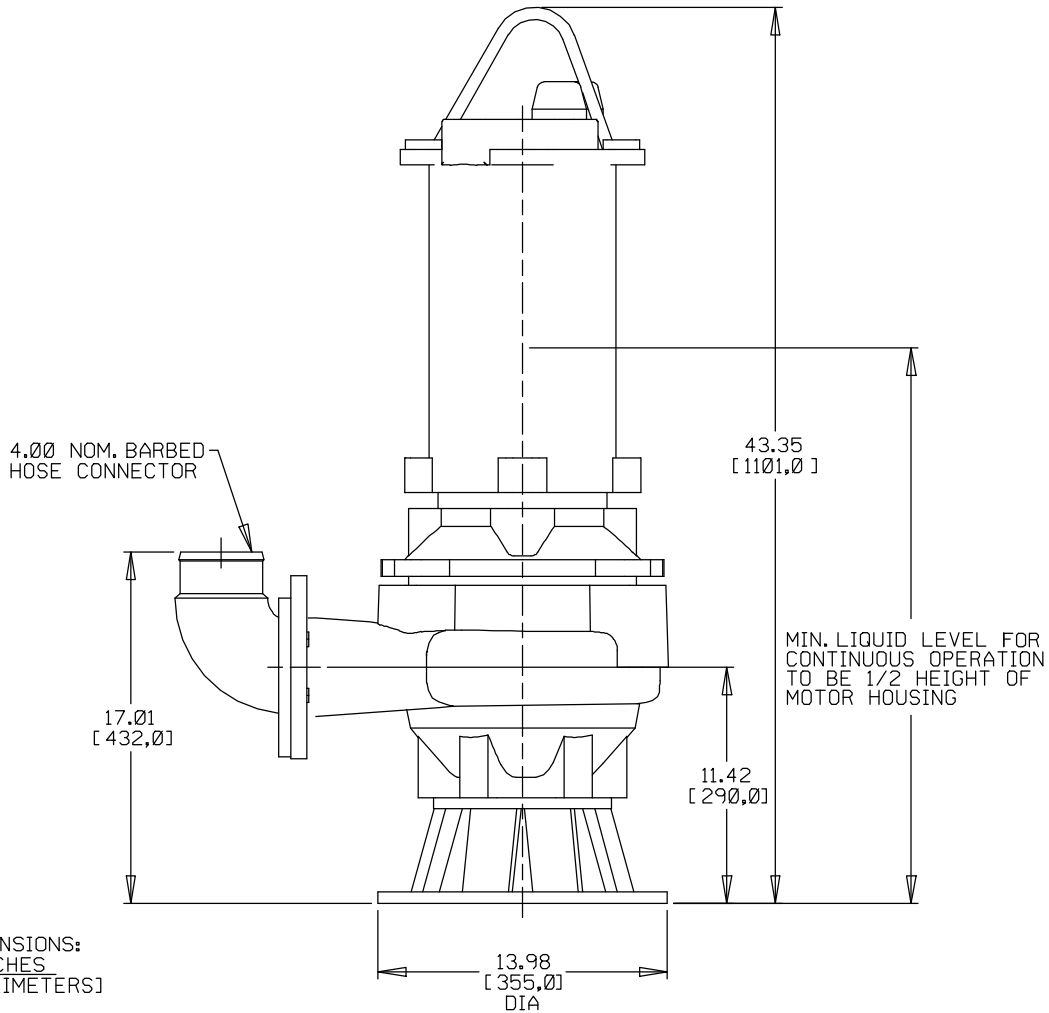
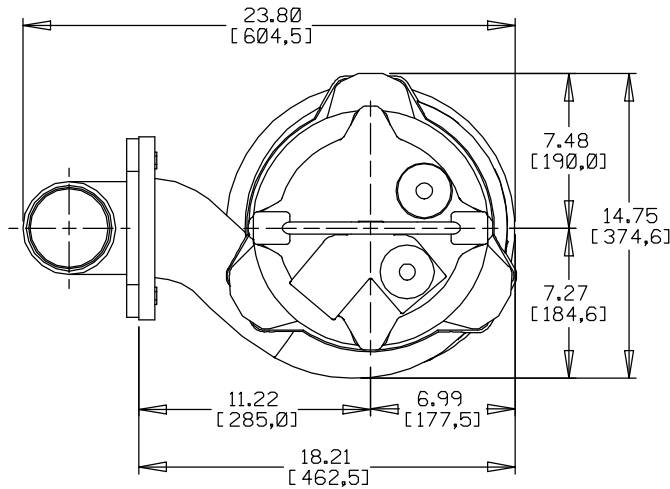
Printed in U.S.A.

Specification Data

**APPROXIMATE
DIMENSIONS and WEIGHTS**

NET WT: (pump only) **402 LBS.** [182 KG.]
 (pump w/std. cable) **419 LBS.** [190 KG.]
SHIPPING WT: **469 LBS.** [213 KG.]
CRATE SIZE: **12.5 CU. FT.** [0,35 CU. M.]

SECTION 135, PAGE 1920



DIMENSIONS:
INCHES
[MILLIMETERS]



THE GORMAN-RUPP COMPANY • MANSFIELD, OHIO

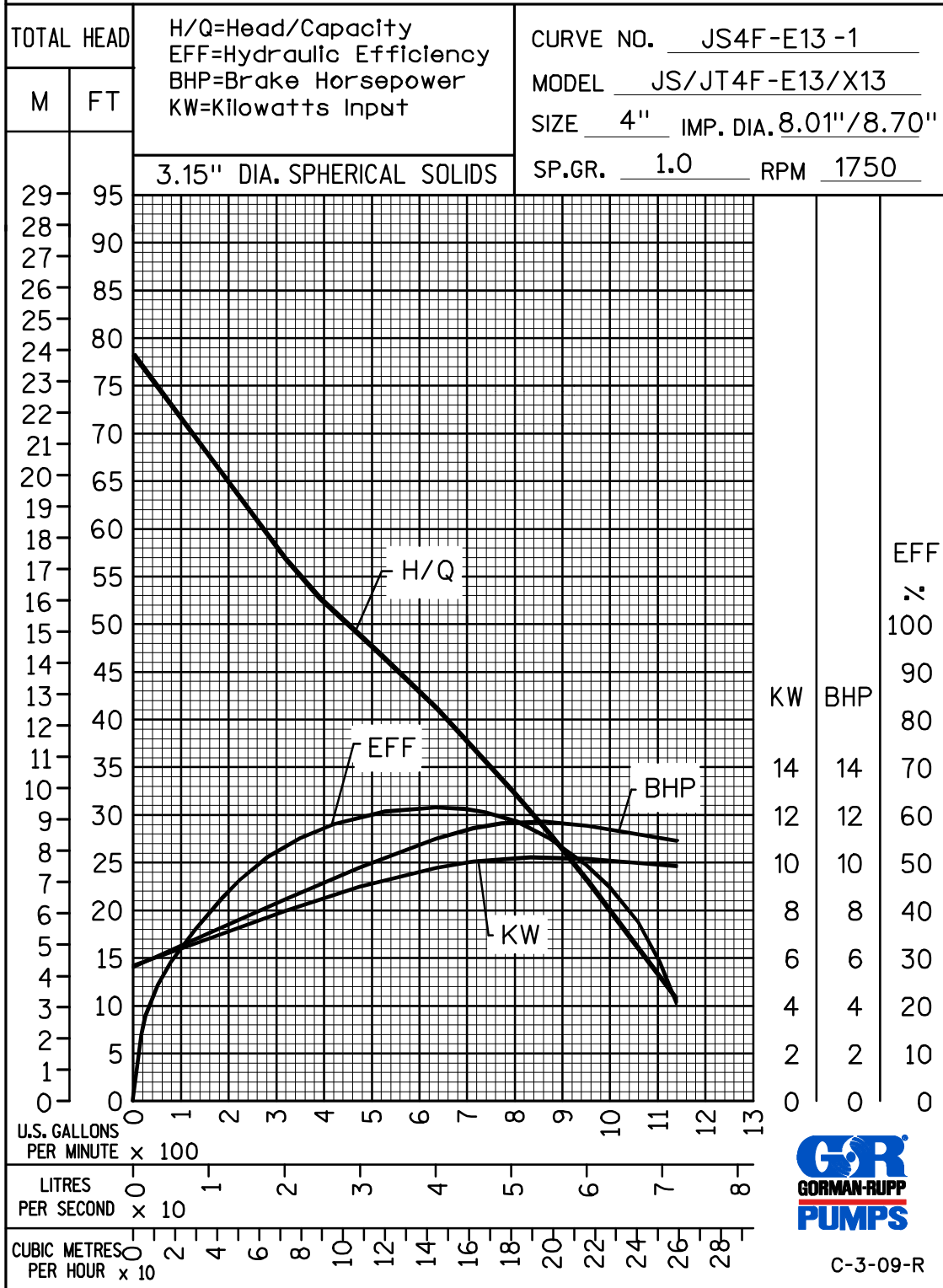
GORMAN-RUPP OF CANADA LIMITED • ST. THOMAS, ONTARIO, CANADA

Specifications Subject to Change Without Notice

Printed in U.S.A.

ACD

PERFORMANCE CURVE



C-3-09-R



THE GORMAN-RUPP COMPANY • MANSFIELD, OHIO

GORMAN-RUPP OF CANADA LIMITED • ST. THOMAS, ONTARIO, CANADA

www.grpumps.com

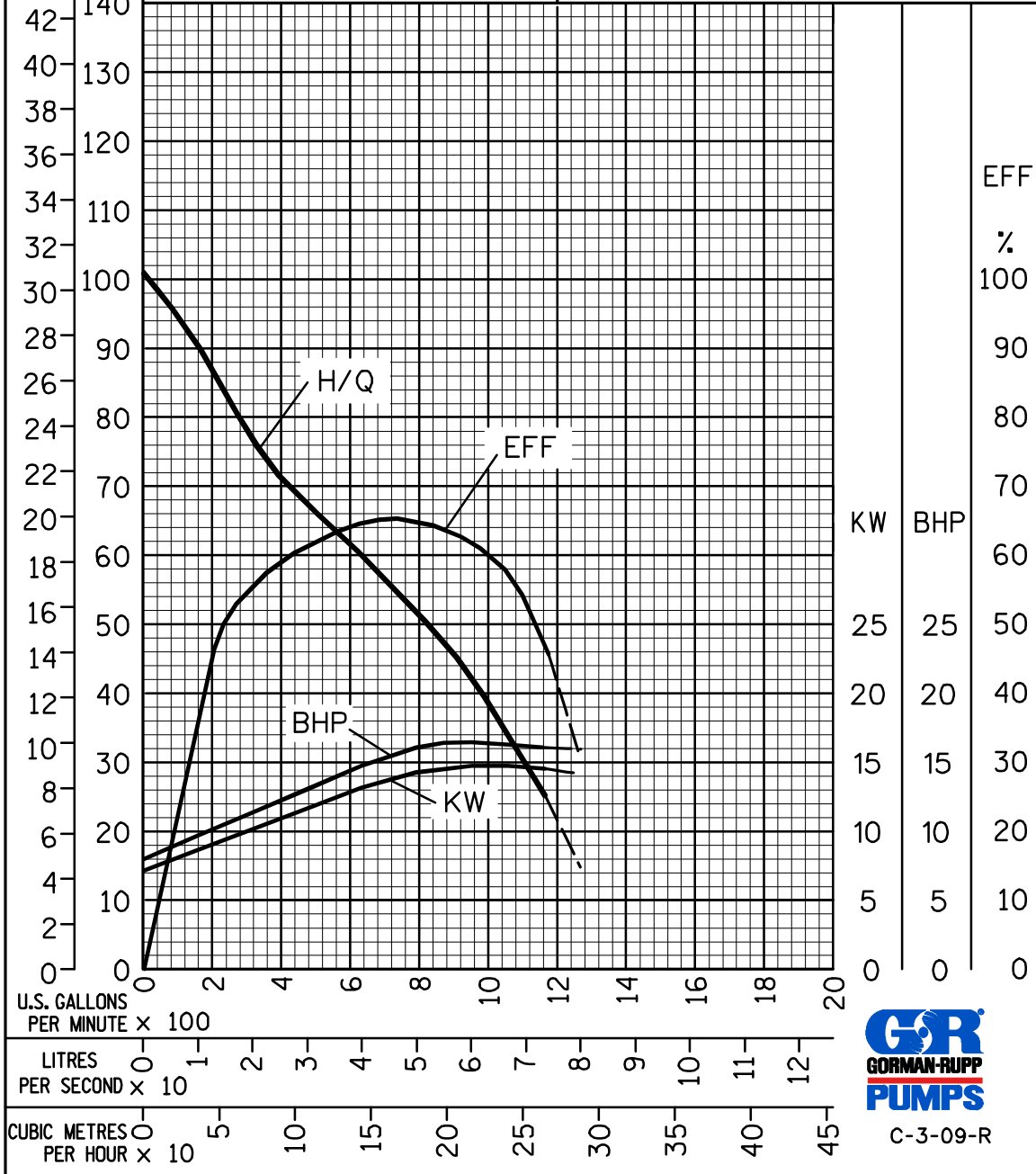
Specifications Subject to Change Without Notice

Printed in U.S.A.

ACD

PERFORMANCE CURVE

TOTAL HEAD		H/Q=Head/Capacity EFF=Hydraulic Efficiency BHP=Brake Horsepower KW=Kilowatts Input	CURVE NO. <u>JS4K-E18-1</u>
M	FT		MODEL <u>JS/JT4K-E18/X18</u>
3.15" DIA. SPHERICAL SOLIDS			SIZE <u>4" IMP. DIA.</u> <u>9.41"</u>
			SP.GR. <u>1.0</u> RPM <u>1750</u>



C-3-09-R



THE GORMAN-RUPP COMPANY • MANSFIELD, OHIO

GORMAN-RUPP OF CANADA LIMITED • ST. THOMAS, ONTARIO, CANADA

www.grpumps.com

Specifications Subject to Change Without Notice

Printed in U.S.A.