

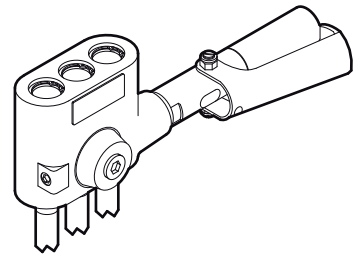


**Chicago  
Pneumatic**

# **Spare parts list**

## **Pneumatic scabbler**

### **CP 0066**





# Contents

|   |   |
|---|---|
| <b>General information</b> .....                      | 5 |
| <b>Spare parts list</b> .....                         | 6 |
| CP 0066 .....   | 6 |
| <b>Accessories</b> .....                              | 8 |
| Hose rolls .....                                      | 8 |
| Pre-mounted universal hoses with claw couplings ..... | 8 |
| Water separator .....                                 | 9 |



## General information

This spare parts list applies to the following:

### Description

Pneumatic scabbler CP 0066

Use only authorized parts. Any damage or malfunction caused by the use of unauthorized parts is not covered by Warranty or Product Liability. Any unauthorized use or copying of the contents or any part thereof is prohibited. This applies in particular to trademarks, model denominations, part numbers, and drawings.

### Instructions for use

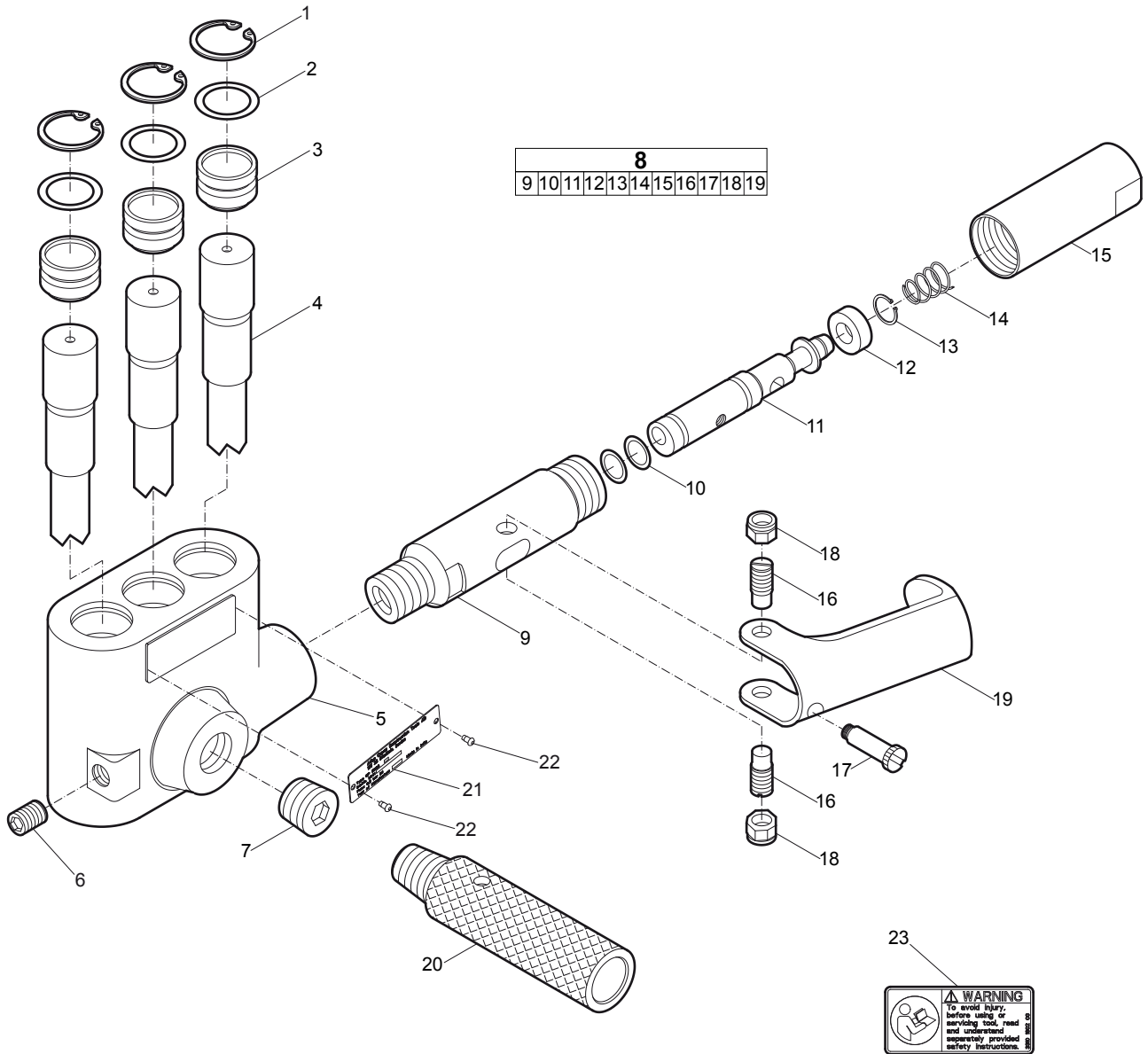
This spare parts list contains no safety regulations and is merely intended to assist in the ordering of spare parts.

For information about operating, servicing, or repairing, the relevant Safety and operating instructions must be consulted at all costs.

Please observe the safety instructions listed in the relevant Safety and operating instructions!

# Spare parts list

## CP 0066



| No.            | Description                      | Remark   | Quantity | Part number  |
|----------------|----------------------------------|----------|----------|--------------|
| 1              | Circlip                          | Internal | 3        | R147622      |
| 2              | O-ring                           |          | 3        | C083177      |
| 3              | Cylinder cap                     |          | 3        | R147614      |
| 4              | Piston                           |          | 3        | R145921      |
| 5              | Cylinder                         |          | 1        | R147611      |
| 6              | Screw                            |          | 1        | R147616      |
| 7              | Plug                             |          | 1        | C068064      |
| <b>8(9-19)</b> | <b>Live air handle, complete</b> |          | 1        | R147915      |
| 9              | Live air handle                  |          | 1        | R147607      |
| 10             | O-ring                           |          | 2        | A043001      |
| 11             | Throttle valve                   |          | 1        | R147609      |
| 12             | Washer                           |          | 1        | R147618      |
| 13             | Retaining ring                   |          | 1        | R147619      |
| 14             | Spring                           |          | 1        | R147615      |
| 15             | Inlet nipple                     |          | 1        | R147613      |
| 16             | Screw                            |          | 2        | R147617      |
| 17             | Slotted head screw               |          | 1        | R147621      |
| 18             | Nut                              |          | 2        | R147620      |
| 19             | Lever                            |          | 1        | R147612      |
| 20             | Side handle                      |          | 1        | R147608      |
| 21             | Data plate                       |          | 1        | -            |
| 22             | Drive screw                      |          | 2        | 0244 4144 00 |
| 23             | Safety label                     |          | 1        | 3310 1602 00 |

## Accessories

### Hose rolls

#### Metric

| Description     | Inner diameter (mm) | Thickness (mm) | Maximum working pressure (bar) | Length of roll (m) | Weight (kg) | Part number  |
|-----------------|---------------------|----------------|--------------------------------|--------------------|-------------|--------------|
| Red-X hose roll | 19                  | 2.0            | 20                             | 60                 | 11          | 8900 0050 10 |
| Red-X hose roll | 19                  | 2.0            | 20                             | 100                | 18          | 8900 0050 11 |
| Red-X hose roll | 19                  | 2.0            | 20                             | 200                | 36          | 8900 0050 12 |
| Red-X hose roll | 25                  | 2.5            | 20                             | 60                 | 15          | 8900 0050 20 |
| Red-X hose roll | 25                  | 2.5            | 20                             | 100                | 25          | 8900 0050 21 |
| Red-X hose roll | 25                  | 2.5            | 20                             | 200                | 50          | 8900 0050 22 |

#### Imperial

| Description     | Inner diameter (in.) | Thickness (in.) | Maximum working pressure (psi) | Length of roll (ft) | Weight (lb) | Part number  |
|-----------------|----------------------|-----------------|--------------------------------|---------------------|-------------|--------------|
| Red-X hose roll | $\frac{3}{4}$        | $\frac{5}{64}$  | 290                            | 195                 | 24.3        | 8900 0050 10 |
| Red-X hose roll | $\frac{3}{4}$        | $\frac{5}{64}$  | 290                            | 325                 | 39.7        | 8900 0050 11 |
| Red-X hose roll | $\frac{3}{4}$        | $\frac{5}{64}$  | 290                            | 650                 | 79.4        | 8900 0050 12 |
| Red-X hose roll | 1                    | $\frac{3}{32}$  | 290                            | 195                 | 33.1        | 8900 0050 20 |
| Red-X hose roll | 1                    | $\frac{3}{32}$  | 290                            | 325                 | 55.1        | 8900 0050 21 |
| Red-X hose roll | 1                    | $\frac{3}{32}$  | 290                            | 650                 | 110.2       | 8900 0050 22 |

### Pre-mounted universal hoses with claw couplings

#### Metric

| Description          | Inner diameter (mm) | Thickness (mm) | Maximum working pressure (bar) | Length of roll (m) | Weight (kg) | Part number  |
|----------------------|---------------------|----------------|--------------------------------|--------------------|-------------|--------------|
| Red-X universal hose | 19                  | 2.0            | 20                             | 20                 | 4.5         | 8900 0050 09 |
| Red-X universal hose | 25                  | 2.5            | 20                             | 20                 | 6.0         | 8900 0050 23 |

#### Imperial

| Description          | Inner diameter (in.) | Thickness (in.) | Maximum working pressure (psi) | Length of roll (ft) | Weight (lb) | Part number  |
|----------------------|----------------------|-----------------|--------------------------------|---------------------|-------------|--------------|
| Red-X universal hose | $\frac{3}{4}$        | $\frac{5}{64}$  | 290                            | 50                  | 8.8         | 8900 0050 08 |
| Red-X universal hose | 1                    | $\frac{3}{32}$  | 290                            | 50                  | 11.0        | 8900 0050 24 |



## Water separator

---

### Metric

| Description                 | Hose connection (mm) | Air flow (l/s) | Weight (kg) | Part number  |
|-----------------------------|----------------------|----------------|-------------|--------------|
| Water separator (¾ in. BSP) | 20                   | 61             | 0.8         | 8900 0050 00 |

### Imperial

| Description                 | Hose connection (in.) | Air flow (foot <sup>3</sup> /min) | Weight (lb) | Part number  |
|-----------------------------|-----------------------|-----------------------------------|-------------|--------------|
| Water separator (¾ in. NPT) | ¾                     | 130                               | 1.8         | 8900 0050 01 |





